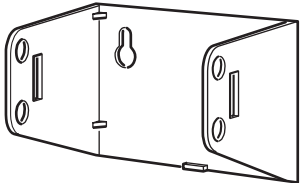
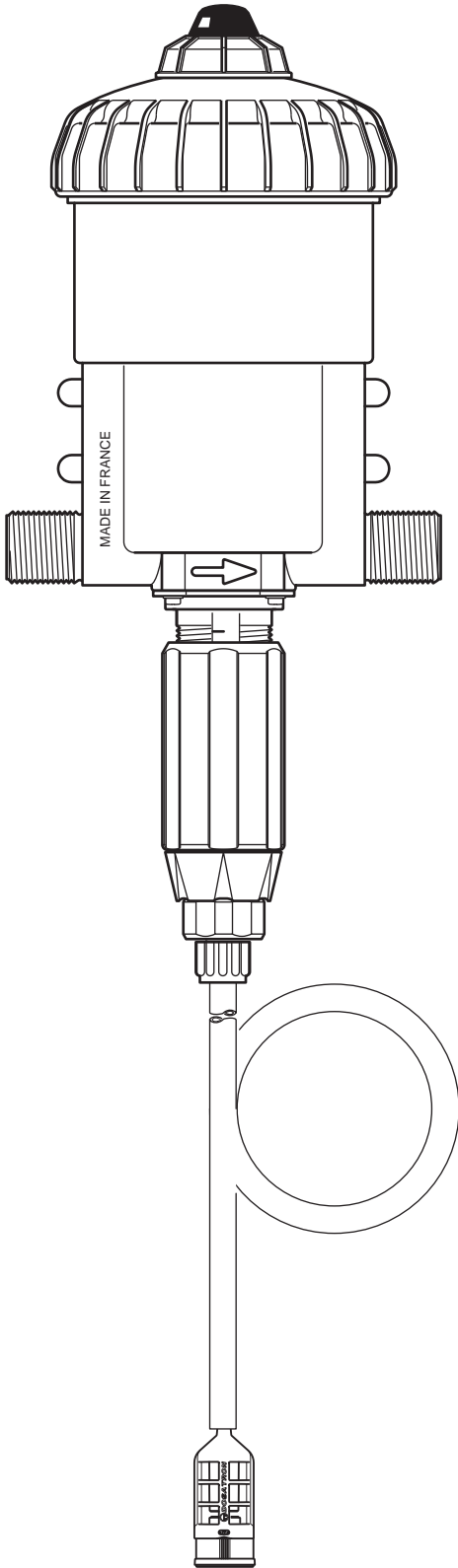


# D25RE2

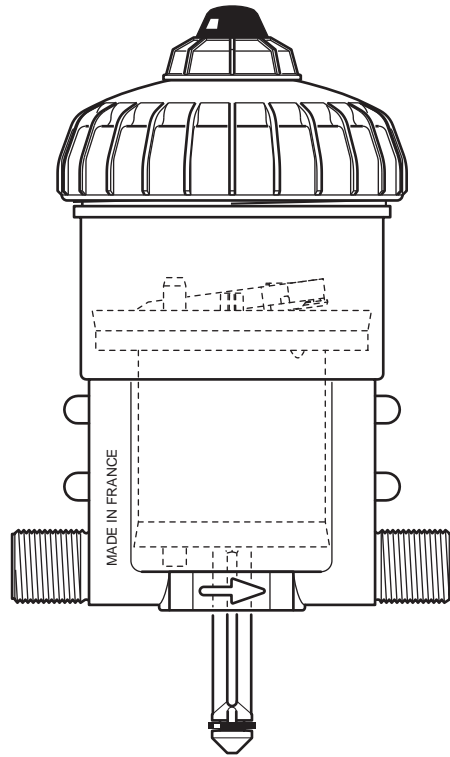
2.5 m<sup>3</sup>/h - 0.2 - 2%  
11 GPM - 1:500 - 1:50  
0.3 - 6 bar  
4.3 - 85 psi



# D25RE2

2.5 m<sup>3</sup>/h - 0.2 - 2%  
11 GPM - 1:500 - 1:50  
0.3 - 6 bar  
4.3 - 85 psi

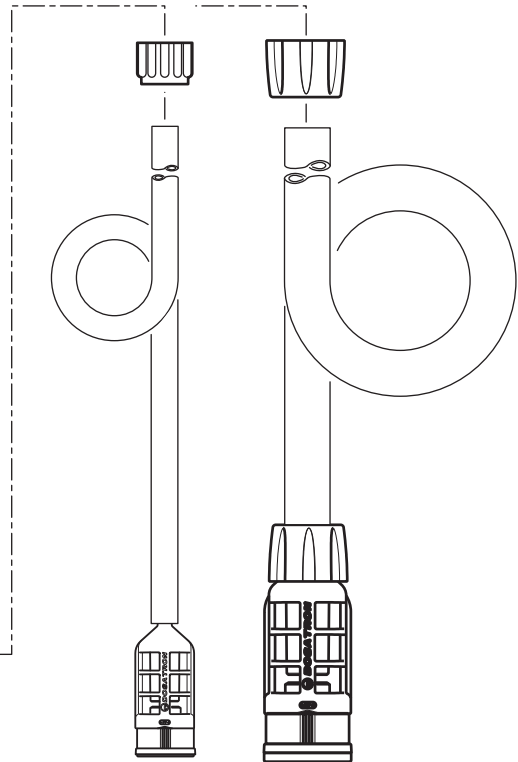
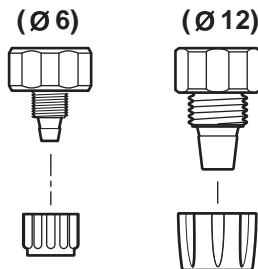
**C+M**



**A**

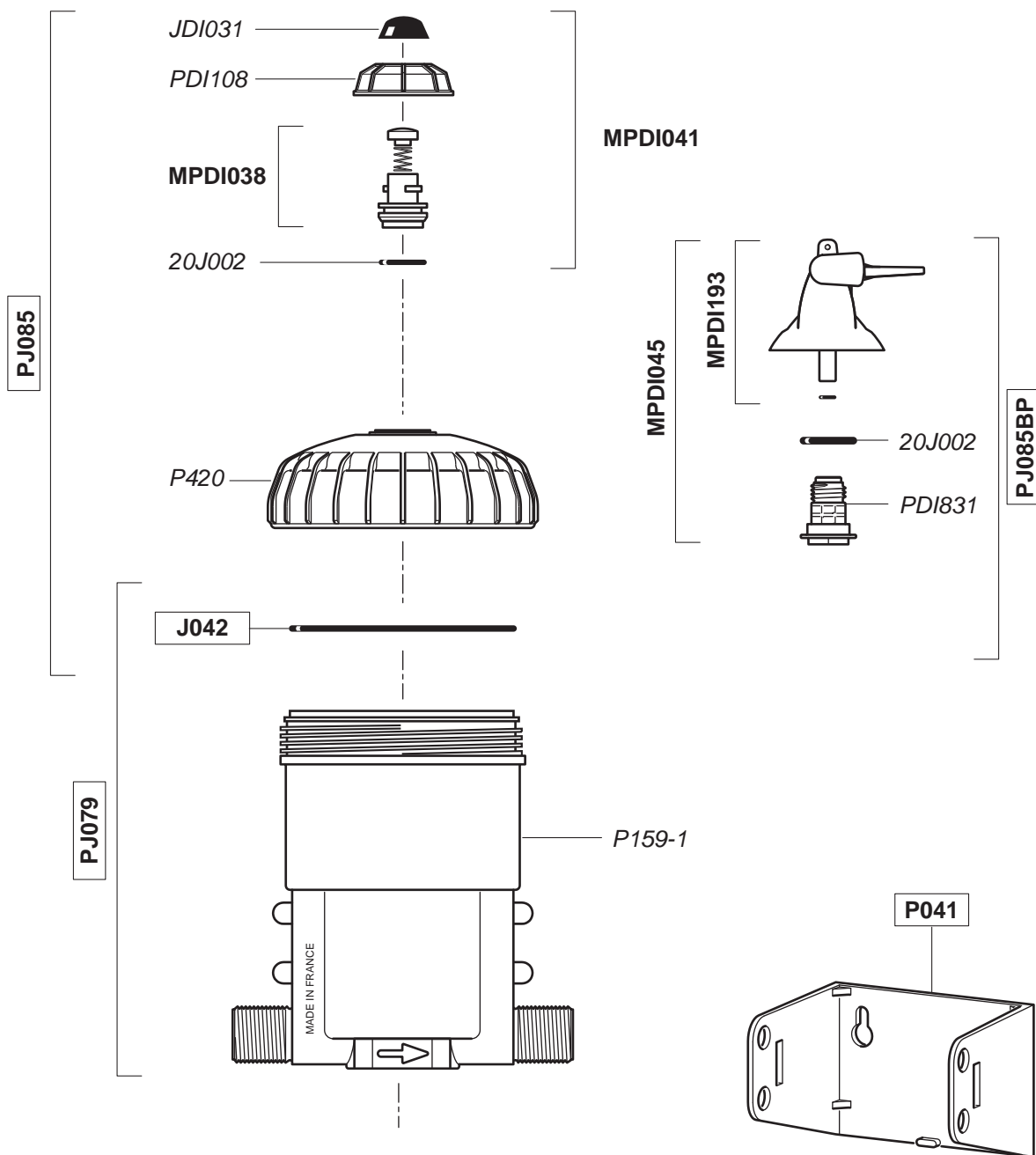
**Option "V"**

**D**



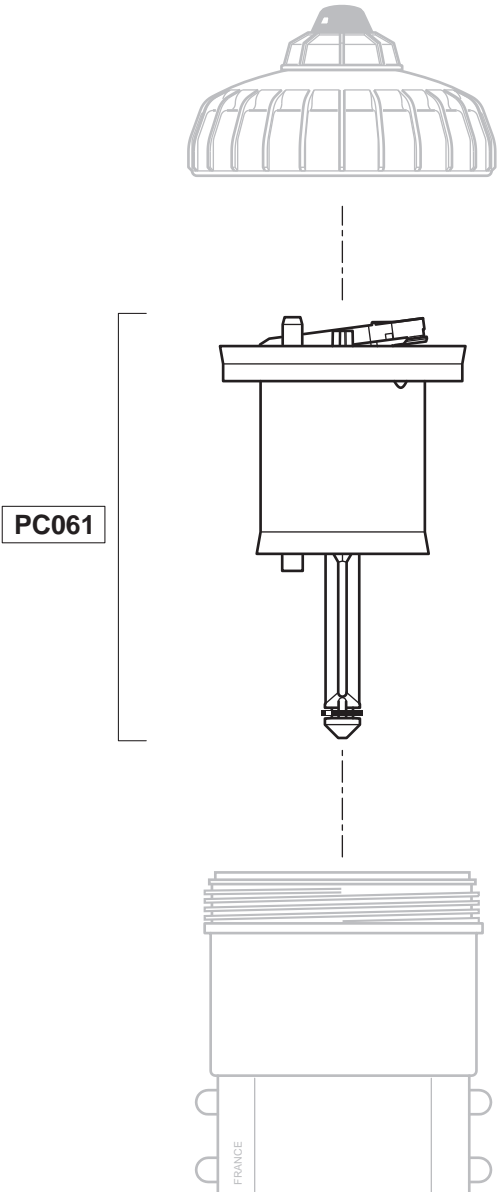
# D25RE2

2.5 m<sup>3</sup>/h - 0.2 - 2%  
 11 GPM - 1:500 - 1:50  
 0.3 - 6 bar  
 4.3 - 85 psi



# D25RE2

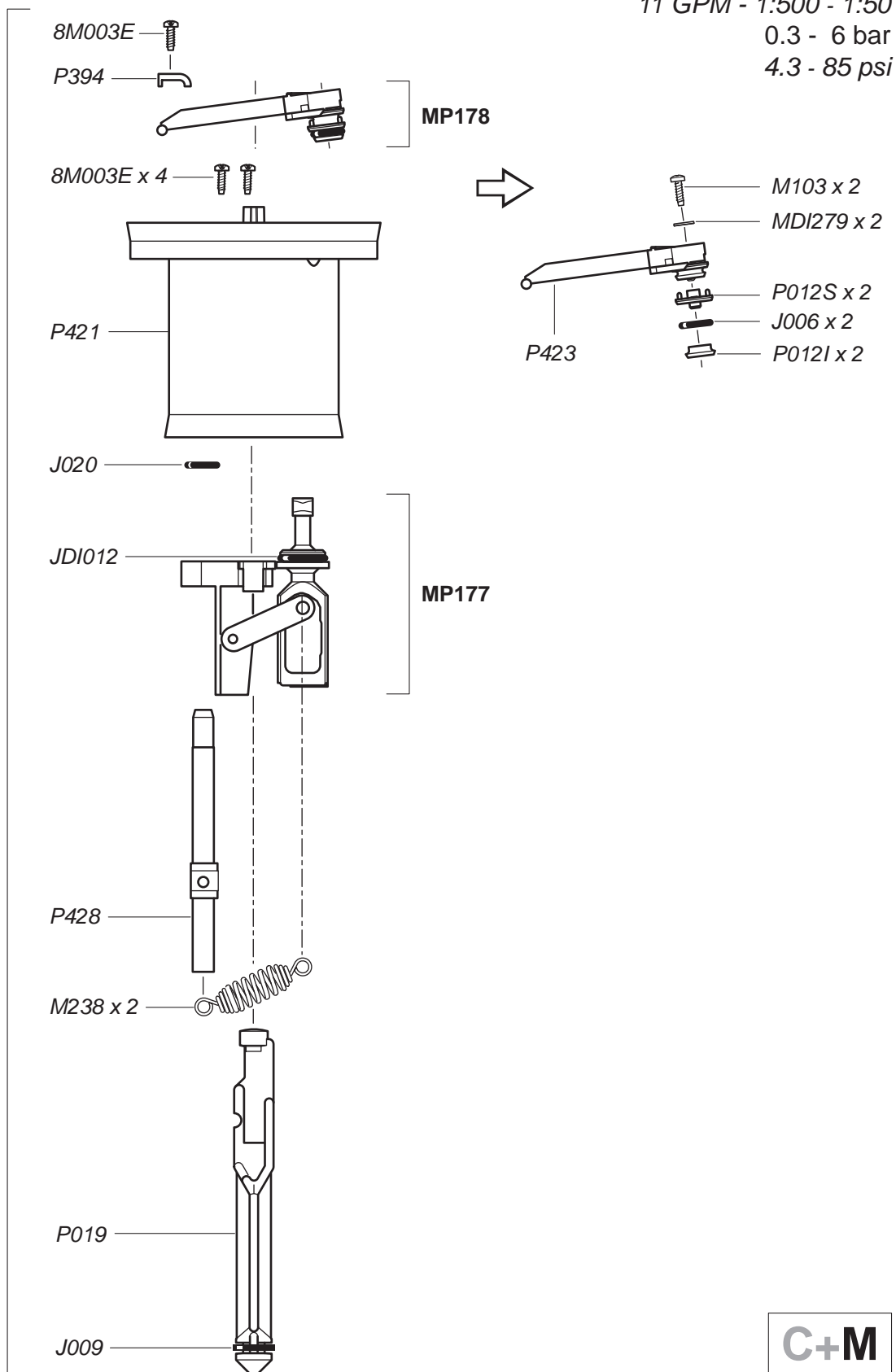
2.5 m<sup>3</sup>/h - 0.2 - 2%  
11 GPM - 1:500 - 1:50  
0.3 - 6 bar  
4.3 - 85 psi



# D25RE2

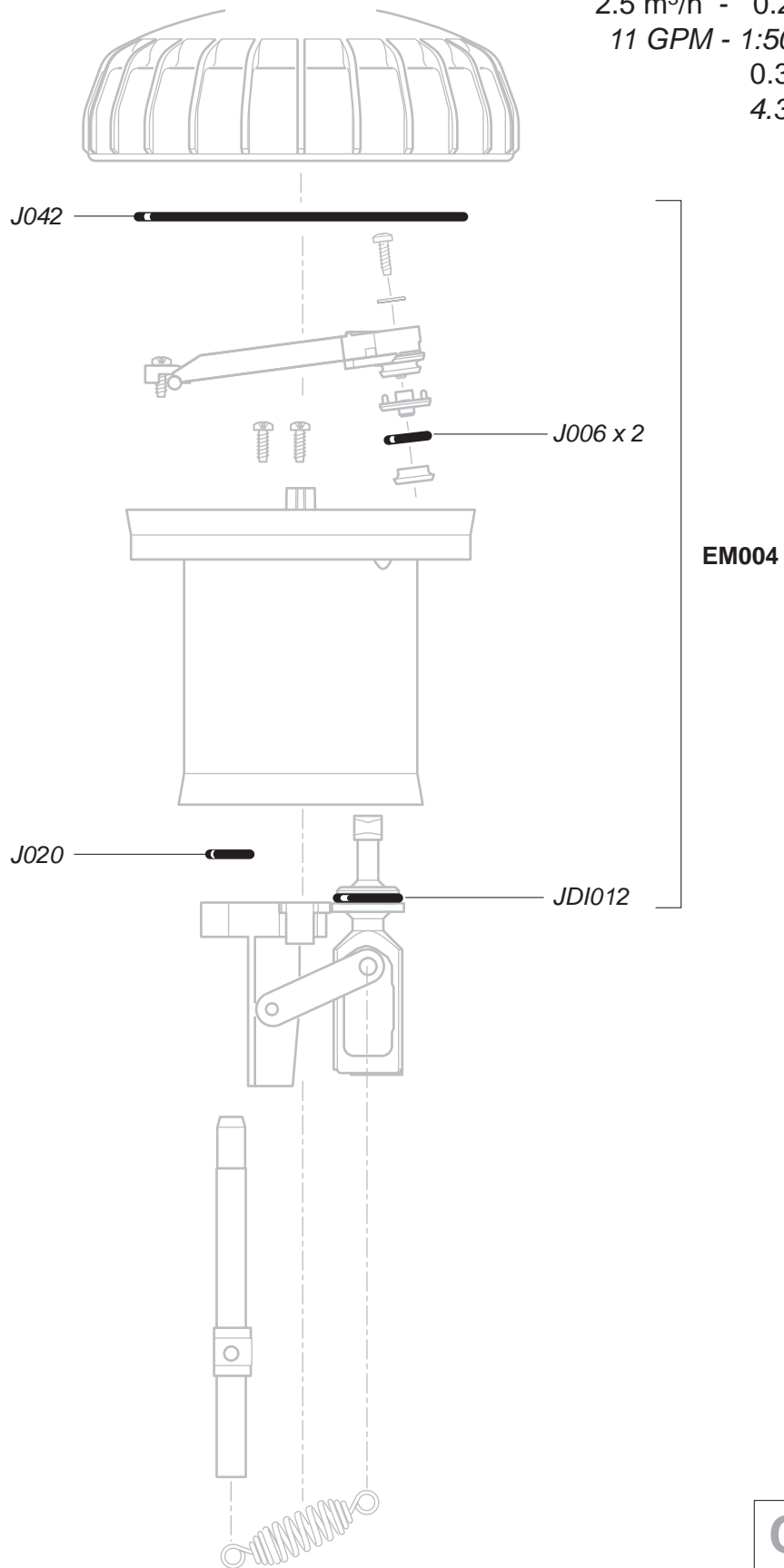
2.5 m<sup>3</sup>/h - 0.2 - 2%  
 11 GPM - 1:500 - 1:50  
 0.3 - 6 bar  
 4.3 - 85 psi

PC061



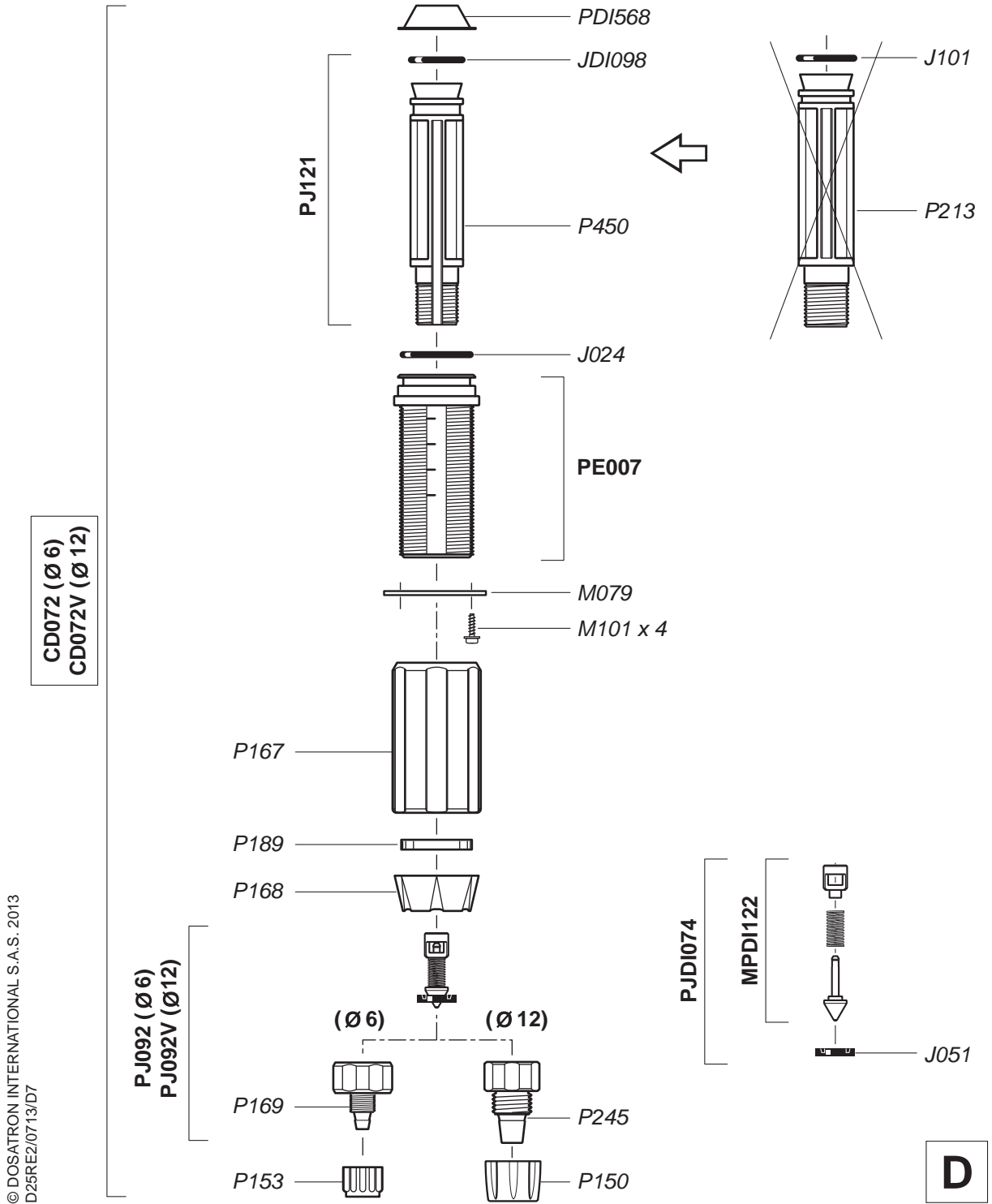
# D25RE2

2.5 m<sup>3</sup>/h - 0.2 - 2%  
11 GPM - 1:500 - 1:50  
0.3 - 6 bar  
4.3 - 85 psi



# D25RE2

2.5 m<sup>3</sup>/h - 0.2 - 2%  
 11 GPM - 1:500 - 1:50  
 0.3 - 6 bar  
 4.3 - 85 psi



CD072 (Ø 6)  
 CD072V (Ø 12)

PJ092 (Ø6)  
 PJ092V (Ø12)

PJD1074

MPDI122

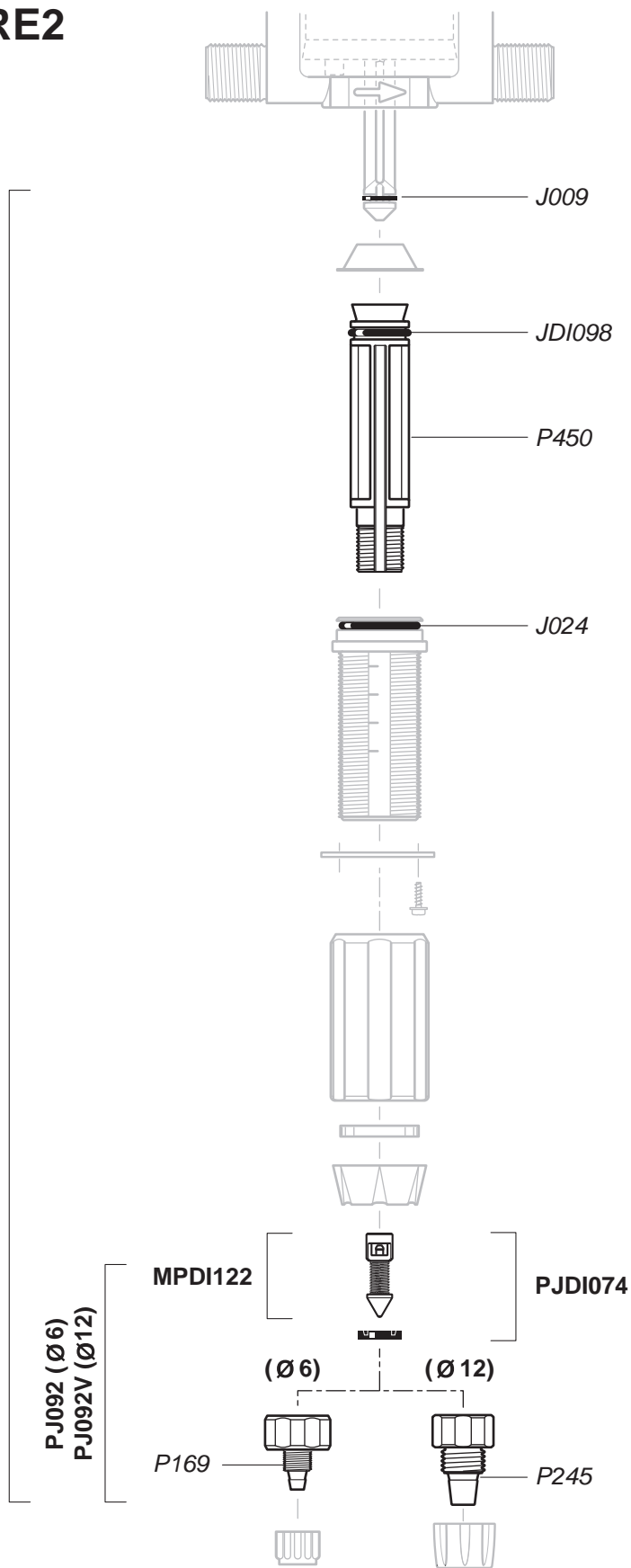
D

# D25RE2

2.5 m<sup>3</sup>/h - 0.2 - 2%  
11 GPM - 1:500 - 1:50  
0.3 - 6 bar  
4.3 - 85 psi

PJ093 (Ø6)  
PJ093V (Ø12)

© DOSATRON INTERNATIONAL S.A.S. 2013  
D25RE2/0713/D8

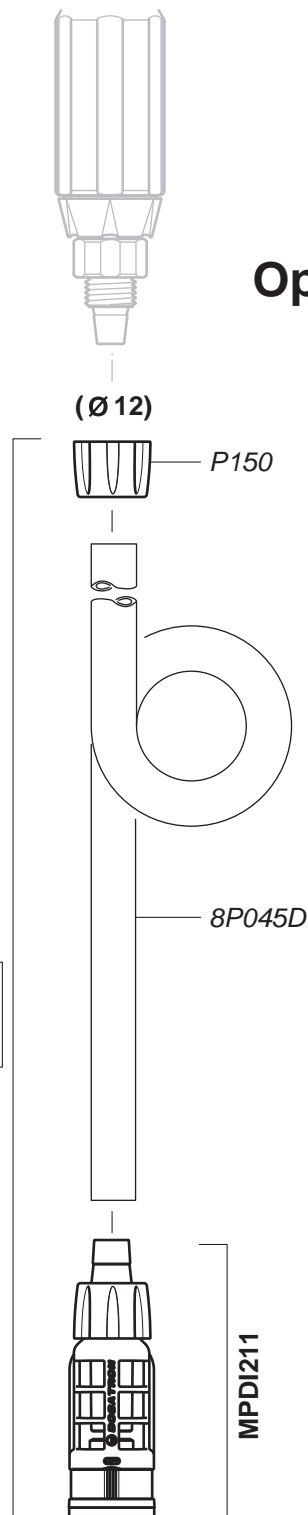
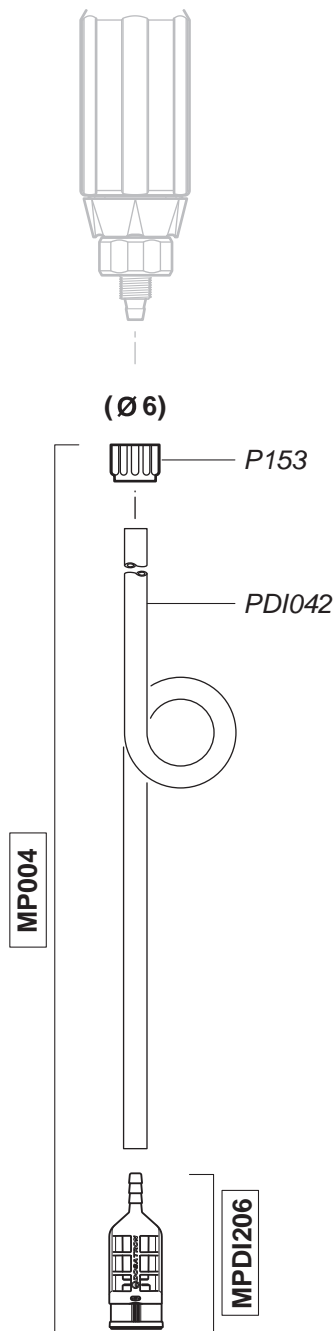


D



# D25RE2

2.5 m<sup>3</sup>/h - 0.2 - 2%  
11 GPM - 1:500 - 1:50  
0.3 - 6 bar  
4.3 - 85 psi



**Option "V"**